

TREK-734



Features

- Freescale Cortex-A9 i.MX6D Dual Core / Android 5.1
- GNSS (GPS/GLONASS), WiFi, BT, LTE/HSPA+
- Internal backup battery pack (3.6 V 2400 mAh)*2
- Operating Temperature: -10 ~ 70 °C (without battery)
- Vehicle certification by CE, FCC, UL,CCC & E-MARK
- Functional Accessory: HDC, Mounting kit

Introduction

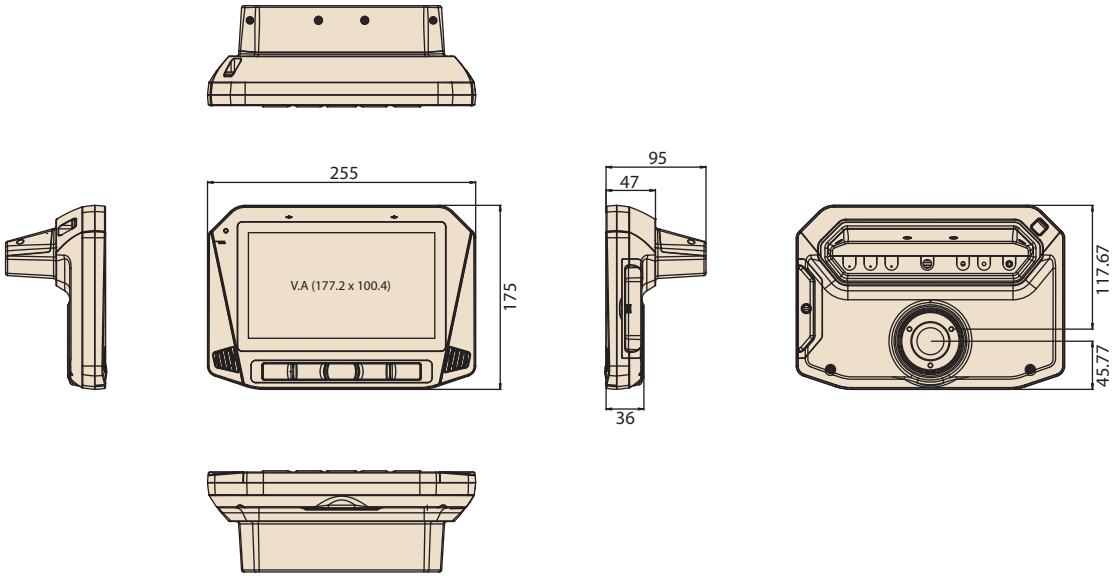
TREK-734 is designed as an open platform (RISC) in Android 5.1 with 8" display all-in-one light duty MDT. Dual core 1.0 GHz processor, 2GB memory and LTE networking capability provides high speed data computing power fulfill the performance required by fleet management company. It offers a build-in battery to backup any emergency condition (UPS). MIL-STD 810G rated can be satisfied by most light duty vehicle vibration condition. Providing WiFi, BT and GPS in the same time, the LTE can turn the vehicle into a wireless hub while its built-in GPS can be used for location and route optimization. With optimized antenna, there are three external antenna ports reserved for critical outdoor application.

Specifications

Model Name	TREK-734	
System	Processor	Freescale i.MX6 Dual Core Cortex-A9 1GHz
	Memory	1GB DDR3 (up to 2GB DDR3)
	Storage	On board 4GB Emmc (up to 8GB) 1x Micro SD slot (externally accessible)
	Watchdog	Yes
	RTC	Yes
OS	Windows	N/A
	Linux	N/A
	Android	Android 5.1.1
RF	GNSS	uBlox MAX-M8Q (GPS + BD) Locosys (HDM1010)
	WLAN	IEEE 802.11n b/g/n
	BT	Bluetooth V4.0, V2.0
	WWAN	LTE, HSPA+, GSM/GPRS/EDGE, WCDMA
	Voice call	N/A
	Wakeup by WWAN	N/A
	SIM	Single SIM
	Antenna	TNC x3 1x WLAN 1xWWAN 1xGPS
Display	Size/Type	8" (16:10) TFT LCD
	Max. Resolution	1024 x 600
	Brightness (cd/m ²)	750 nits
	Viewing Angle (R/L/B/T)	70° / 80° / 80° / 80°
	Backlight Life	20,000 hrs
Touchscreen	Capacitive (Multiple Touch)	
Brightness Control	Light sensor for auto dimming	
Function Key	5x programmable with green light	
I/O	Vehicle I/O Port	1x CAN Bus x 1 (Support Raw CAN, J1939, OBD-II/ISO 15765) CAN High , LOW (2 CABLE)
	Generic I/O Port	Isolated 4x DI / 2x DO (HDC) 1x 4-wire RS-232 and 1x 2-wire RS-232 1x CVBS in 1x MIC-In 1x Line-In (R&L) (HDC) 1x Line-Out (R&L) (HDC)
	Standard I/O Port	1x USB2.0 Host @ Right Side (mini usb) DEBUG (5pin) 1x USB2.0 Client @ Right Side (usb TYPE A) HOST (4pin) N/A
	Indicators	1x LED (PWR)

Dimensions

Unit: mm



Specifications Cont.

Car Power Design	Power Button	Yes
	Reset Button	Yes
	Voltage input	9-32 V _{DC}
	Power Regulation	E-Mark, ISO 7637-2, SAE J1455, SAE J1113
Environment	IP Rating	IP54
	Operating Temperature	-10 ~ 70 °C
	Shock / Vibration	MIL-STD-810G, SAE J1455
Certifications	EMC/Safety	CE, FCC, UL/cUL, CCC
	RF/Carrier	N/A
Physical	Dimensions (W x H x D)	250 x 175 x 85 mm (IP cover) 250 x 175 x 42 mm
	Weight	1.3 kg

I/O Connectors



Ordering Information

Part Number	Description

Optional Items

Part Number	Description