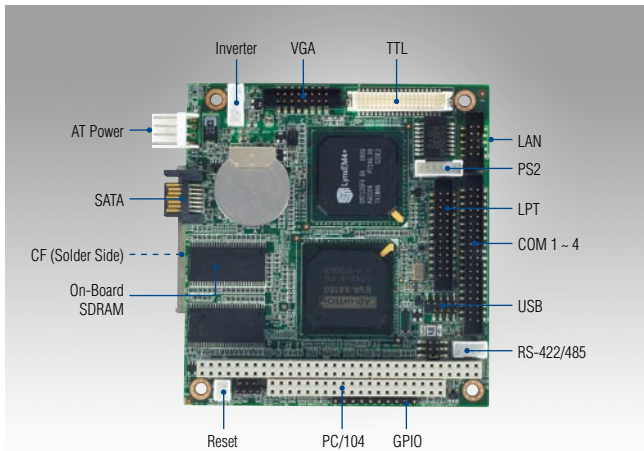


PCM-3342

EVA-X4150 X86 SOC PC/104 SBC, CRT, TTL, LAN, USB, SATA, COM, CFC



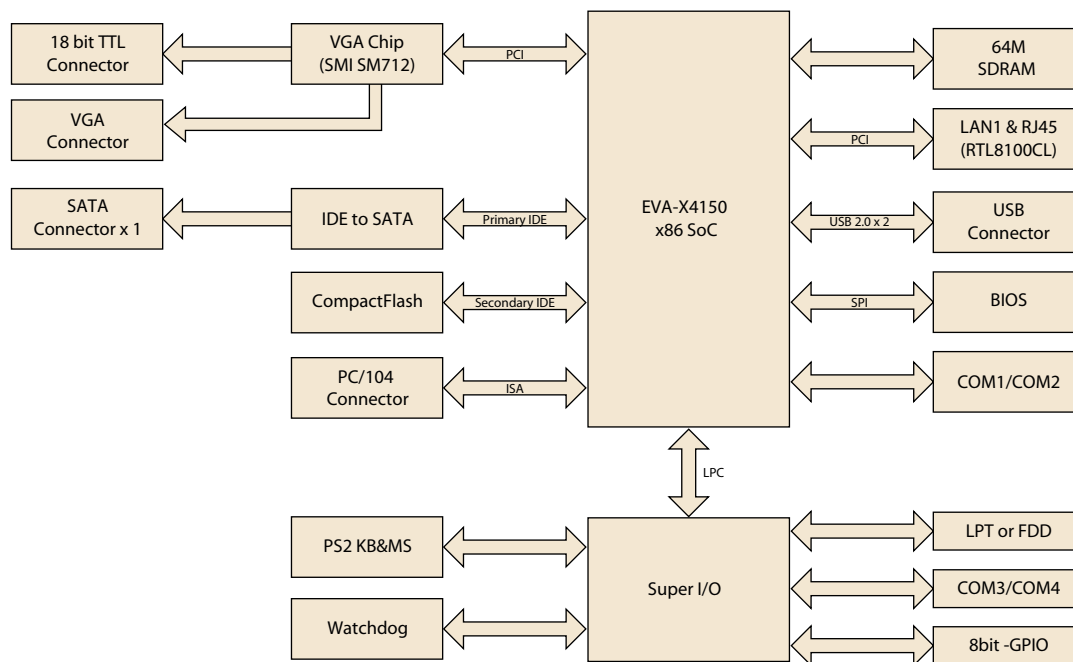
Features

- Low Power x86 SoC
- Total less than 4 W power consumption
- 64 MB SDRAM onboard
- PC/104 96 x 90mm standard dimension
- Supports 4 COM Ports

Specifications

| | | | |
|--------------------------|--------------------------------------|---|--|
| Processor System | CPU | Advantech EVA-X4150 SoC | |
| | Frequency | 133 MHz | |
| | System Chipset | Advantech EVA-X4150 SoC | |
| | BIOS | Award 4M bit | |
| Memory | Technology | SDRAM | |
| | Max. Capacity | 128 MB | |
| | On board memory | On board 64 MB | |
| Display | Chipset | SMI SM712 2D graphic chip | |
| | VRAM | 4 MB internal memory | |
| | Graphic Engine | | 62.5 MHz single clock/cycle engine (EM+) |
| | | | 86 MHz single clock/cycle engine (EM4+) |
| | CRT | Supports up to 1024 x 768 @ 85 Hz | |
| | TTL LCD | Supports up to 1024 x 768 @18 bit TFT LCD Panel | |
| Dual Display | CRT + TTL | | |
| Ethernet | Speed | 10/100Mbps | |
| | Controller | Realtek RTL8100CL | |
| | Connector | Box header | |
| Watchdog Timer | | System reset Programmable 1 ~ 255 sec | |
| Storage | CompactFlash | Supports CompactFlash Card TYPE I/II (Secondary IDE Channel) | |
| | SATA | 1 | |
| | Floppy | 1 (share with LPT) | |
| Internal I/O | USB | 2 x USB 2.0 | |
| | Serial | 3 RS-232, 1 RS-232/422/485 | |
| | Parallel(LPT) | 1 (share with FDD) | |
| | FDD | 1 (share with LPT) | |
| | KB/Mouse | 1 | |
| | GPIO | 8-bit general purpose input/output | |
| Expansion | PC/104 slot | 1 | |
| Power | Power Type | AT | |
| | Power Supply Voltage | 5V only to boot up (12 V is optional for LCD inverter and add on card) | |
| | Power Consumption (Max, test in HCT) | 0.71 A @ 5 V (PCM-3342F-64A1E) | |
| | Battery | 3 V/300mAH | |
| Environment | Operation | 0 ~ 60° C (32 ~ 140° F) (operation humidity: 40° C @ 85% RH non-condensing) | |
| | Non-Operation | -40° C ~ 85° C and 60° C @ 95% RH non-condensing | |
| Physical Characteristics | Dimensions (L x W) | 96 x 90 mm (3.8" x 3.5") | |
| | Weight | 0.097 kg (0.214lb) | |

Board Diagram



Ordering Information

| Model | CPU | L2 Cache | Chipset | SDRAM DIMM | CRT | LVDS | TTL | LAN | Audio | USB 2.0 | RS-232 | RS-232 /422/485 | LPT | FDD | KB/MS | Expansion | Thermal | Operation Temp |
|-------------------|-----------|----------|-----------|-------------|-----|------|-----|------|-------|---------|--------|-----------------|---------------|---------------|-------|-----------|---------|----------------|
| PCM-3342F-64A1E | EVA-X4150 | - | EVA-X4150 | Onboard 64M | Yes | - | Yes | 1 FE | - | 2 | 3 | 1 | 1 (Share FDD) | 1 (Share LPT) | Yes | PC/104 | Passive | 0 ~ 60° C |
| PCM-3342L-64A1E | EVA-X4150 | - | EVA-X4150 | Onboard 64M | - | - | - | 1 FE | - | 2 | 3 | 1 | 1 (Share FDD) | 1 (Share LPT) | Yes | PC/104 | Passive | 0 ~ 60° C |
| PCM-3342FZ-64A1E | EVA-X4150 | - | EVA-X4150 | Onboard 64M | Yes | - | Yes | 1 FE | - | 2 | 3 | 1 | 1 (Share FDD) | 1 (Share LPT) | Yes | PC/104 | Passive | -20 ~ 80° C |
| PCM-3342FZ2-64A1E | EVA-X4150 | - | EVA-X4150 | Onboard 64M | Yes | - | Yes | 1 FE | - | 2 | 3 | 1 | 1 (Share FDD) | 1 (Share LPT) | Yes | PC/104 | Passive | -40 ~ 85° C |

Packing List

| Part No. | Description | Quantity |
|------------|--|----------|
| | PCM-3342 SBC | |
| | Startup Manual | |
| | Utility CD | |
| 1700260250 | LPT Port cable 25P to 26P 2.0 mm 25 cm | x 1 |
| 1701100202 | LAN FLAT CABLE IDC10P 2.0 mm/RJ-45 20 cm | x 1 |
| 1701160150 | VGA Cable 15P to 16P 2.0 mm D-SUB 15 cm | x 1 |
| 1701400181 | COM 4 port FLAT CABLE 18 cm IDC40P 2.0 mm | x 1 |
| 1703040157 | RS-422/485 W/D-SUB COM 4P 15 cm | x 1 |
| 1703060053 | PS2 Cable 6P (MINI-DIN)-6P (Wafer 2.0 mm) 6 cm | x 1 |
| 1700008894 | SATA 7P 30 cm cable | x 1 |
| 1703100121 | USB 2 Ports cable 10P 12 cm IDC 2.0 mm | x 1 |
| 1700060202 | CABLE 6P-6P-6P PS/2 KB & MOUSE 20cm | x 1 |
| 9660104000 | PC/104 screw and copper post package | x 1 |

Optional Accessories

| Part No. | Description |
|------------|-----------------------------------|
| 1700001531 | LPT to FDD cable |
| 165313222B | PC/104 connector 64pin (Long pin) |
| 165312022B | PC/104 connector 40pin (Long pin) |

Embedded OS

| Embedded OS | Part No. | Description |
|-------------|------------|---|
| WinCE 5.0 | 2070006989 | Image CE 5.0 Pro EVA-4150-4COM V1.1 ENG |
| WinCE 6.0 | 2070006949 | Image CE 6.0 Pro EVA-4150-4COM V1.1 ENG |