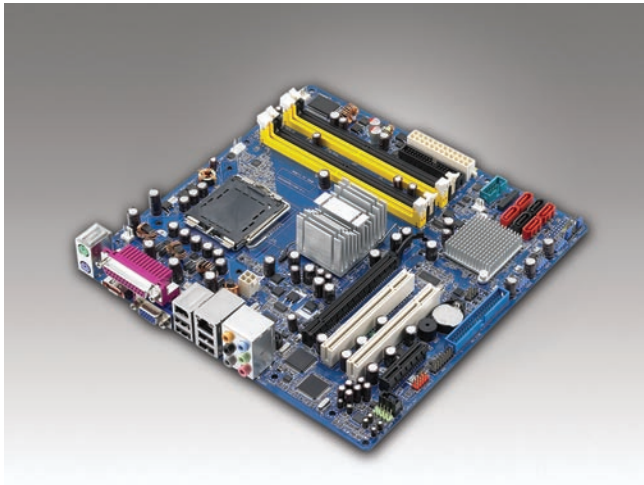


AIMB-564

**LGA 775 Core™ 2 Duo/Pentium® D/Pentium 4/
Celeron® D Processor-based MicroATX with
DDR2/PCIe/Single GbE LAN**



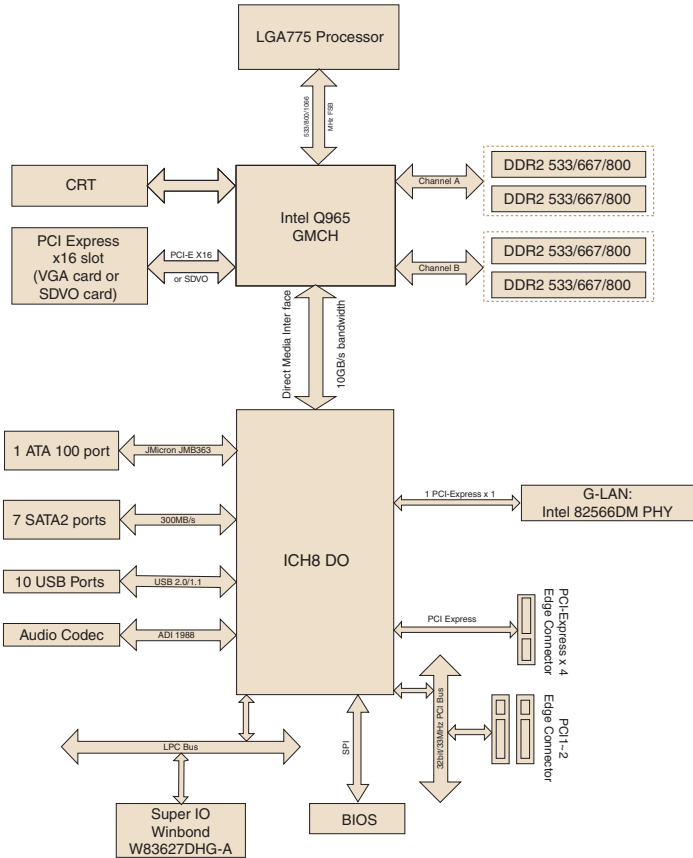
Features

- Intel® Q965 chipset 533/800/1066 MHz FSB
- Supports Intel Core 2 Duo processor
- Dual channel DDR2 533/667/800 SDRAM up to 8 GB
- Chipset integrated VGA sharing 256 MB system memory
- PCIe x16 slot expansion
- Supports SATA RAID 0,1,5 and 10.
- Supports single 10/100/1000Base-T Ethernet via dedicated PCIe x1 bus
- TPM support via an optional daughter board

Specifications

Processor System	CPU (65nm/ 90nm)	Intel® Core™ 2 Duo	Pentium® D	Pentium® 4	Celeron® D
	Max. Speed	2.66 GHz	3.6 GHz (Dual-core)	3.8 GHz	3.6 GHz
	L2 Cache	4 MB	4 MB	2 MB/1 MB	512KB
	Chipset	Intel Q965 + ICH8 DO			
	BIOS	AMI® 16 Mbit SPI			
	Front Side Bus	533/800/1066 MHz			
Expansion Slot	PCIe x16	4.0 GB/s per direction, 1 slot			
	PCIe x4	1.0 GB/s per direction, 1 slot			
	PCI	32-bit/33MHz, 2 slots			
Memory	Technology	Dual channel DDR2 533/667/800 MHz			
	Max. Capacity	8 GB			
	Socket	240-pin DIMM x 4			
Graphic	Embedded	Chipset integrated VGA controller sharing 256 MB system memory			
	Add-on	PCIe x16 slot			
Ethernet	Interface	10/100/1000 Base-T			
	Controller	G-LAN: Intel 82566DM			
	Connector	RJ45 with LED connector x 1			
SATA II	Max. Data Transfer Rate	3.0 GB/s			
	Channel	7			
EIDE	Mode	ATA 100/66/33			
	Channel	1 (Max. 2 devices)			
I/O Interface	VGA	1			
	USB	Max. 10 (USB 2.0 compliant, 4 ports on rear panel)			
	Audio	8-CH HD Audio (Mic in, Line in, Line out, CD Audio in, 6 jacks)			
	Serial	1 (RS-232)			
	Parallel	1 (SPP/EPP/ECP)			
	FDD	1			
	PS/2	2			
	External SATA	1			
	IEEE 1394	1			
Watchdog Timer	Output	System reset			
Misc	TPM	Support TPM 1.2 (optional TPM daughter board)			
Power Requirement	Typical	Pentium 4 3.4 GHz, 1 GB SDRAM, 80 GB HDD			
		+12 V	+5 V	+3.3 V	5 Vsb
		3.07A	10.37A	2.83A	0.46A
Environment		Operating			Non-Operating
	Temperature	0 ~ 60° C (32 ~ 140° F), depends on CPU's speed and cooler solution			-20 ~ 70° C (-4 ~ 158° F)
Physical Characteristics	Dimensions (W x D)	244 x 244 mm (9.6" x 9.6")			

Block Diagram



Ordering Information

Part Number	VGA	Gigabit LAN
AIMB-564VG-00A1E	Yes	Single

*AIMB-564 cannot be installed in ACP-2000MB chassis
 **We strongly suggest to use only Advantech's certified LGA 775 CPU coolers to ensure board reliability under harsh environments

Bracket View

Packing List

Description	Quantity
IDE HDD cable	x 1
Serial ATA HDD data cable	x 4
Serial ATA HDD power cable	x 2
I/O port bracket	x 1
Startup manual	x 1
Utility CD	x 1

Accessories

Part Number	Description
1750001661	LGA 775 CPU Cooler for 2U chassis (supports Core 2 Duo, Pentium 4 max. 3.4 GHz, and Celeron D processors)
9680004525	TPM daughter board