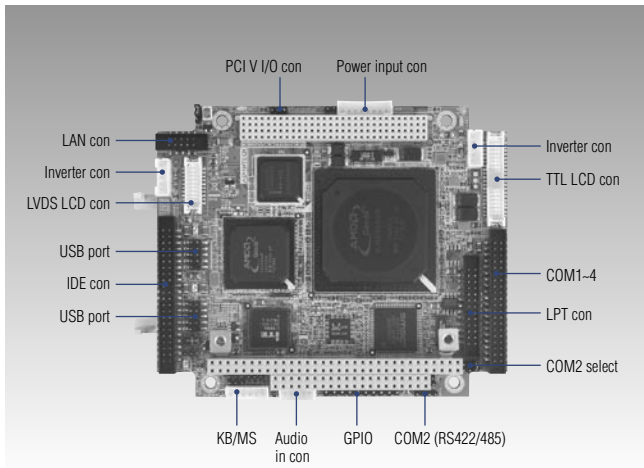


PCM-3353

AMD® LX800 PC/104-Plus CPU Module



Features

- AMD® low power LX800/500 MHz Processor
- Supports DDR memory
- 18/24-bit TFT LCD interface
- 18-bit LVDS LCD interface
- One channel 18-bit LVDS interface
- 10/100 Mbps PCI Ethernet interface
- Supports three RS-232, one RS-232/422/485, and four USB 2.0 ports
- PC/104 and PC/104-Plus expansion connector
- Support audio function compliant with AC'97 2.0

Specifications

General

- **CPU** AMD Geode™ LX800, up to 500 MHz
- **2nd Cache Memory** 128 KB on Processor
- **System Chipset** AMD Geode LX800
- **BIOS** AWARD® 4 Mbit Flash BIOS
- **System Memory** 200-pin SODIMM sockets, support 128MB to 1GB, accepts 128/256/512/1024 MB, DDR200/266/333 DRAM
- **Power Management** APM1.2
- **SSD** Supports CompactFlash Card Type I
- **Watchdog Timer** 255 interval timer, setup by software.
- **Expansion Interface** 104-pin 16-bit PC/104 module connector and 120-pin PCI PC/104-Plus module connector
- **Battery** Lithium 3 V/196 mA/H

I/O

- **I/O Interface** 1 x EIDE, 1 x LPT, 1 x RS-232/422/485, 3 x RS232, 1 x K/B, 1 x Mouse
- **USB** 4 x USB 2.0
- **Audio** Supports AC97 Audio Stereo sound
- **GPIO** 8-bit general purpose Input/Output

Ethernet

- **Chipset** Intel 82551ER
- **Speed** 10/100Base-T
- **Interface** 1 x internal box header

Display

- **Chipset** AMD Geode LX800
- **Memory Size** Optimized Shared Memory Architecture, supports 64 MB frame buffer using system memory.
- **Resolution** CRT display Mode pixel resolution up to 1920 x 1440 x 32 bpp at 85 Hz
1600 x 1200 x 16 bpp at 100 Hz and, up to 1024 x 768 x 32 bpp at 60 Hz for TFT LCD
LCD Interface
18/24-bit TTL interface
LVDS Interface
18-bit LVDS interface
Dual Independent Display
CRT + TTL, CRT + LVDS

Mechanical and Environmental

- **Dimension (L x W)** 96 mm x 115 mm
- **Weight** 0.162 kg (with heat sink)
- **Operating Temperature** 0 – 60° C (32 – 140° F)
- **Operating Humidity** 0% – 90% relative humidity, non-condensing

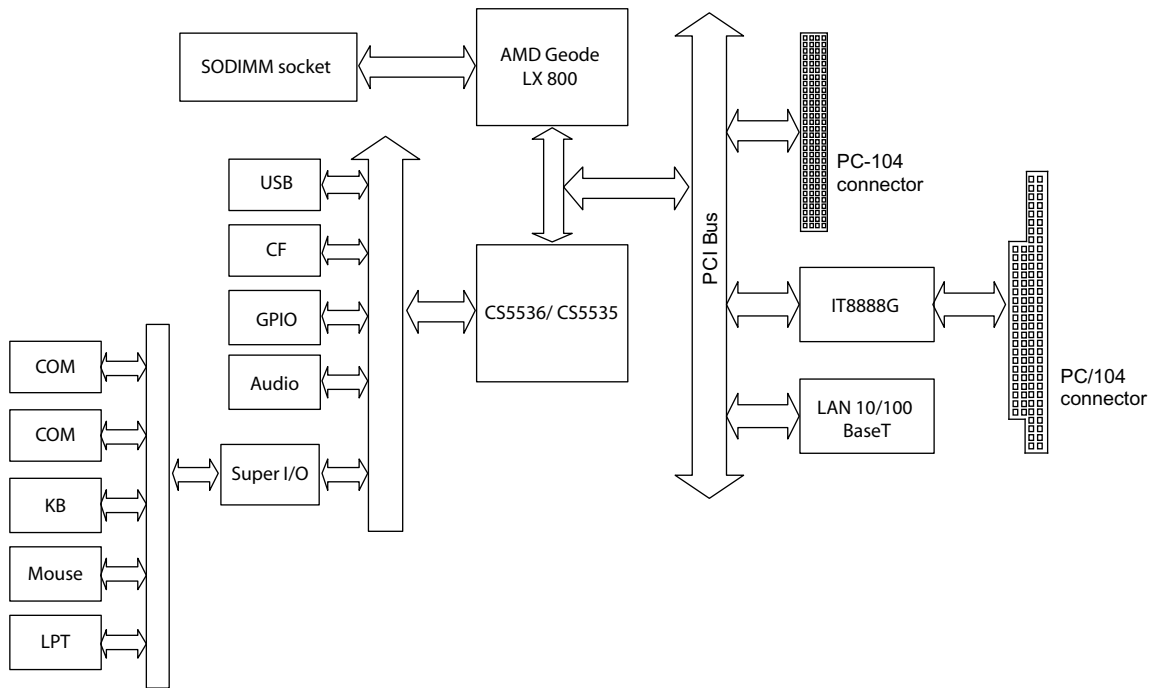
Power

- **Power Supply Voltage** AT, +5 V ± 5%, +12 V ± 5% (Optional) (5 V only, 12 V optional for PC104 add on card and LCD inverter)
- **Power Consumption** (Geode LX800, 256 MB DDR333)
Max: +5 V @ 1.51 A, +12 V @ 0.1 A
Typical: +5 V @ 1.35 A, +12 V @ 0.1 A

Packing List

- 1 x PCM-3353 SBC
- 1 x Power cable (p/n:1700003491)
- 1 x Audio cable (p/n:1700000918)
- 1 x Four COM cable (p/n:1701400181)
- 1 x RS-422/485 COM cable (p/n:1703040157)
- 1 x Keyboard/Mouse cable (p/n:1703060053)
- 1 x Y cable (for KB/MS extention) (p/n:1700060202)
- 1 x Ethernet RJ-45 Conn. conversion cable (p/n:1701100202)
- 1 x LPT port cable (p/n:1700260250)
- 1 x IDE cable (p/n:1701440350)
- 1 x VGA cable (p/n:1700000898)
- 2 x USB cable (bracket type with two USB ports) (p/n: 1703100121)
- 1 x Startup manual
- 1 x CD-ROM (Manual, Driver, Utility)

Board Diagram



Ordering Information

Part No.	CPU	Chipset	CRT	TTL	LVDS	10/100	USB2.0	RS-232	RS232/422/485	LPT/KB/MS	Audio	PC/104+ connector	Thermal Solution	Operation Temp.	Embedded OS
PCM-3353F-L0A1E	AMD LX800	CS5536	Yes	18/24-bit	18-bit	1	4	3	1	Yes	Yes	Yes	Passive	0 ~ 60° C	Optional
PCM-3353Z-L0A1E	AMD LX800	CS5536	Yes	18/24-bit	18-bit	1	4	3	1	Yes	Yes	Yes	Passive	-20 ~ 80° C	Optional
PCM-3353Z2-L0A1E	AMD LX800	CS5536	Yes	18/24-bit	18-bit	1	4	3	1	Yes	Yes	Yes	Passive	-40 ~ 85° C	Optional