

# PCM-24D2R2 PCM-24D2R4 PCM-24D4R2 PCM-24D4R4

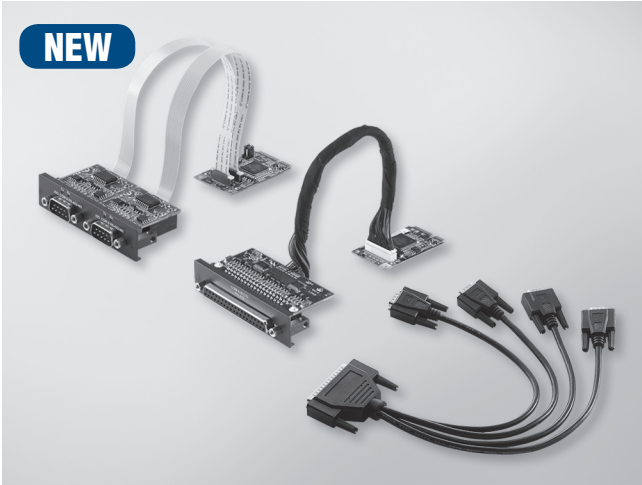
2-Ports Isolated RS-232 mPCIe, DB9

2-Ports Isolated RS-422/485 mPCIe, DB9

4-Ports Non-Isolated RS-232 mPCIe, DB37

4-Ports Non-Isolated RS-422/485 mPCIe, DB37

**NEW**



## Features

- Meets Advantech Standard iDoor Technology
- PCI Express® Mini Card Specification Revision 1.2 compliant
- Speeds up to 921.6 kbps for extremely fast data transmission
- Supports any baud rate setting (50bps-921.6kbps)
- Supports both Isolated & Non-Isolated Protection with 2/4 Ports RS-232/422/485
- I/O address automatically assigned by PCIe plug & play
- Operating systems supported: Windows 2000/XP/Vista/7, and Linux 2.4/2.6
- OXPCle952/OXPCle954 UART with 128-byte FIFOs standard
- Supports Embedded Automation Computers UNO-2200/2300/2400 series
- Supports Embedded DIN-Rail Controller UNO-1200/1300/1400 series
- Supports Embedded BOX IPC UNO-3000 series
- Supports Embedded Automation Panel Computers TPC-xx82/xx72/xx80 series

## Introduction

The PCM-24 series are categorized as communication modules from Advantech iDoor Technology. They are all compatible with the PCI Express® Mini Card Specification Revision 1.2, including Isolated / Non-Isolated RS-232/422/485 communication cards for automation control, Wi-Fi/3G/GPS/GSM/LTE wireless communication models for data exchange during the management and machine level of automation application, Zigbee module as an IoT terminal or controller and PoE function for smart camera in detect inspection application of production. This is a flexible design that enables customers to customize their features which meet iDoor Technology.

## Specifications

### General

- Bus Type** PCI Express Mini Card Revision 1.2
- Certification** CE, FCC class A
- Connectors** 2x Male DB9 for PCM-24D2xx  
1x Female DB37 for PCM-24D4xx
- Dimensions** Module: 51 x 30 x 12.4 mm (2" x 1.18" x 0.49")  
I/O Plate: 81 x 19.4 x 41 mm (3.19" x 0.76" x 1.61")
- Power Consumption** 400 mA @ +3.3 V for PCM-24D2xx  
500 mA @ +3.3 V for PCM-24D4xx

### Communications

- Comm. Controller** OXPCle952 for PCM-24D2xx  
OXPCle954 for PCM-24D4xx
- Data Bits** 5, 6, 7, 8
- Data Signals** RS-232: TX+, RX, RTS, CTS, DTR, DSR, DCD, DI, GND  
RS-422: TX+, TX-, RX+, RX-, (PCM-24D4R4)  
TX+, TX-, RX+, RX-, CTS+, CTS-, RTS+, RTS- (PCM-24D2R4)  
RS-485: Data+, Data-  
128 bytes
- FIFO** RTS/CTS (PCM-24D4R4 not supported), Xon/Xoff
- Flow Control** None, Odd, Even, Mark and Space
- Parity** 50 bps ~ 921.6 kbps (PCM-24D2R4 & PCM-24D4R4 only) and any other baud rate setting 230.4 kbps
- Speed** 1, 1.5, 2
- Stop Bits**

### Protection

- Isolation Protection** 2,000 V<sub>DC</sub> for PCM-24D2xx only
- ESD Protection** 15 KV
- EFT Protection** 2,500 V
- Surge Protection** 1,000 V<sub>DC</sub>

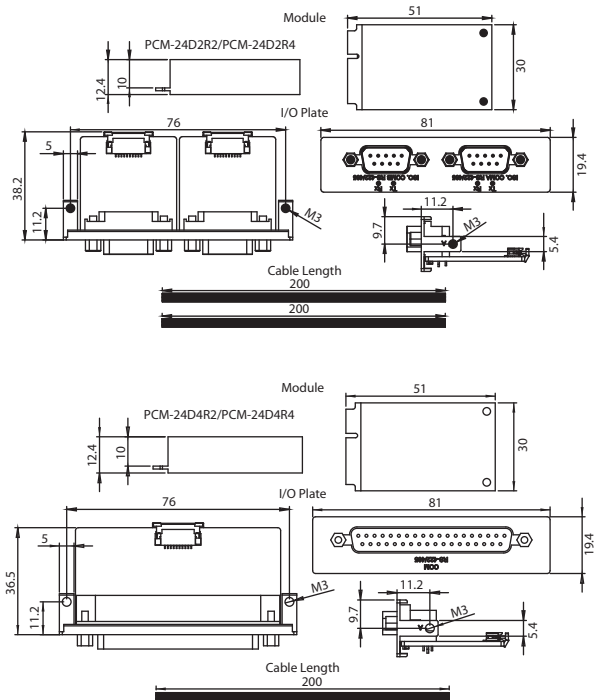
### Software

- Bundled Software** ICOM Tools & Drivers
- OS Support** Microsoft® Windows® 2000/XP/Vista/7 and Linux

### Environment

- Humidity (Operating)** 5-95% RH, non-condensing
- Operating Temperature** -20 ~ 60°C (-4 ~ 140°F)
- Storage Temperature** -40 ~ 85°C (-40 ~ 185°F)

## Dimensions



## Ordering Information

- PCM-24D2R2-AE** OXPCle-952 UART, Isolated RS-232, DB9 x 2
- PCM-24D2R4-AE** OXPCle-952 UART, Isolated RS-422/485, DB9 x 2
- PCM-24D4R2-AE** OXPCle-954, UART, Non-Isolated RS-232, DB37 x 1
- PCM-24D4R4-AE** OXPCle-954 UART, Non-Isolated RS-422/485, DB37 x 1