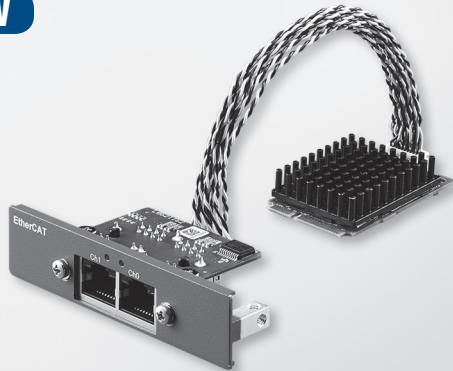


PCM-26R2EC PCM-26R2EI PCM-26R2S3 PCM-26R2PN PCM-26R2PL

2-Port Hilscher netX100 FieldBus mPCIe, EtherCAT, RJ45
2-Port Hilscher netX100 FieldBus mPCIe, EtherNet/IP, RJ45
2-Port Hilscher netX100 FieldBus mPCIe, Sercos III, RJ45
2-Port Hilscher netX100 FieldBus mPCIe, PROFINET, RJ45
2-Port Hilscher netX100 FieldBus mPCIe, POWERLINK, RJ45

NEW



EtherCAT, ETHERNET POWERLINK, PROFINET, EtherNet/IP, SERCOS the automation bus



Features

- Meets Advantech Standard iDoor Technology
- PCI Express Mini Card Specification Revision 1.2 compliant
- Identical interface for all Hilscher Real-Time Ethernet Fieldbus Protocols
- Various colorful front plates for protocol identification
- Easy integration by wide range of device drivers
- High extended temperature range up to 70°C
- Supports Embedded Automation PC UNO-2200/2400* series
- Supports Control DIN-Rail PC UNO-1300/1400 series
- Supports Control Cabinet PC UNO-3200/3300/3400 series
- Supports Control Panel Computers TPC-xx81 series
- Supports Thin Client Panel Computers TPC-xx51 series

* Specific additional cable is required

Introduction

The PCM-26 series is categorized as Industrial Communication with Fieldbus Protocol modules from Advantech iDoor Technology. They are all compatible with the PCI Express® Mini Card Specification Revision 1.2, including Isolated / Non-Isolated RS-232/422/485 communication cards for automation control, Wi-Fi/3G/GPS/GSM/LTE wireless communication models for data exchange during the management and machine level of automation application, Zigbee module as an IoT terminal or controller and PoE function for smart camera in detect inspection application of production. This is a flexible design that enables customers to customize their features which meet iDoor Technology.

Specifications

General

- Bus Type** PCI Express Mini Card Revision 1.2
- Certification** CE, UL
- Connectors** 2 x Female RJ45
- Dimensions** Module: 51 x 30 x 12.4 mm (2" x 1.18" x 0.49")
I/O Plate: 81 x 19.4 x 45 mm (3.19" x 0.76" x 1.61")
- Power Consumption** Typical : +3.3 V @ 650 mA

Communications

- Controller** Hilscher netX100
- Protocol** EtherCAT, EtherNET/IP, Sercos III, PROFINET, POWERLINK
- Signal interface** Isolation 10BASE-T/100BASE-TX
- Speed** 100 Mbps, 10 Mbps (depending on loaded firmware)
- Displays** SYS, System status LED

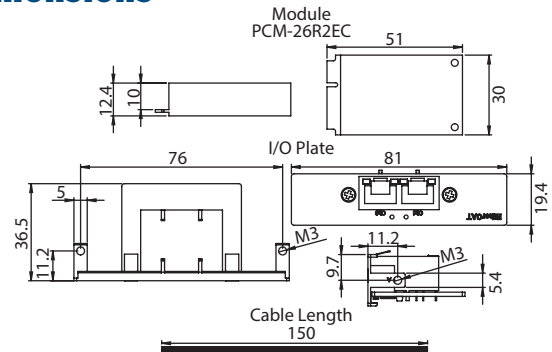
Software

- OS Device** Windows 2000/XP/Vista/7/8 (32/64-bit)
- Utility** SYCON.net

Environment

- Humidity (Operating)** 10-95% RH, non-condensing
- Operating Temperature** 0 ~ 70 °C (32 ~ 140 °F), w/ Air flow during measurement: 0,5 m/s
- Storage Temperature** 0 ~ 70 °C (32 ~ 185 °F)

Dimensions



Ordering Information

Master

- PCM-26R2EC-MAE** Hilscher netX100 FieldBus mPCIe, EtherCAT, RJ45 x2, Master
- PCM-26R2EI-MAE** Hilscher netX100 FieldBus mPCIe, EtherNet/IP, RJ45 x2, Master
- PCM-26R2S3-MAE** Hilscher netX100 FieldBus mPCIe, Sercos III, RJ45 x2, Master
- PCM-26R2PN-MAE** Hilscher netX100 FieldBus mPCIe, PROFINET, RJ45 x2, Master

Slave

- PCM-26R2EC-SAE** Hilscher netX100 FieldBus mPCIe, EtherCAT, RJ45 x2, Slave
- PCM-26R2EI-SAE** Hilscher netX100 FieldBus mPCIe, EtherNet/IP, RJ45 x2, Slave
- PCM-26R2S3-SAE** Hilscher netX100 FieldBus mPCIe, Sercos III, RJ45 x2, Slave
- PCM-26R2PN-SAE** Hilscher netX100 FieldBus mPCIe, PROFINET, RJ45 x2, Slave
- PCM-26R2PL-SAE** Hilscher netX100 FieldBus mPCIe, POWERLINK, RJ45 x2, Slave