

UNO-1483G

Intel® Core™ i Regular-Size
DIN-Rail Controller w/ 4 x GbE,
3 x mPCIe, 1 PCIe, DP/VGA , 8 DI/O

NEW



Introduction

The UNO-1483G is an Intel 4th generation Core i3 DIN-Rail controller. This controller featured with dual power input that shorten the down time to enhance operation excellence. The general purpose input/output ports also help machine builder integrate direct control of start/stop inspection and indicate inspection results. UNO-1483G also equipped with PCIe slot and Advantech iDoor technology that extend this product to motion controller, like motion control card, or isolation control unit from iDoor modules. In companion these features, UNO-1483G featured with 4 gigabyte LAN, 2 USB 3.0, 3 COM, DP, VGA can support essential link for upstream and downstream, for example, PoE connected to IP camera from iDoor.

Specifications

General

- **Certification** CE, FCC, UL, CCC, BSMI
- **Dimensions (W x D x H)** 106 x 139 x 198 mm (4.2" x 5.8" x 7.8")
- **Form Factor** Regular Size
- **Enclosure** Aluminum Housing
- **Mounting** DIN-rail, Wallmount
- **Weight (Net)** 2.4kg (5.3lbs)
- **Power Requirement** 12V/24VDC ± 20%
- **Power Consumption** 41W (Typical), 60W(Max)
- **OS Support** Microsoft® Windows 7/8, WES7, WIN10 Ent. LTSB, AdvLinux

System Hardware

- **BIOS** AMI UEFI 128Mbit Flash BIOS
- **Watchdog Timer** Programmable 6 levels timer interval, from 15 to 255 sec
- **Processor** Intel® 4th Gen. Core™ i3-4010U ULT 1.7GHz Haswell Dual Core, 3MB L2 Core i7-4650U/i5-4300U/Celeron 2980U by project
- **System Chip** Integrated Intel 8 Series Chipset
- **Memory** On-board 8GB DDR3L 1333/1600 MHz
- **Graphics Engine** Intel® HD Graphics 4400
- **Ethernet** Intel® i210-IT GbE Intel® i218-LM GbE
- **LED Indicators** LEDs for Power, battery, LAN (Active, Status), Tx/Rx and HDD
- **Storage** One drive bay for SATA 2.5" HDD (Compatible with 9.5mm height HDD) CFAST drive by iDoor Technology (Optional)
- **Expansion** 2 x Full-size mPCIe slot, mPCIe 2.0 (1 supports mSATA / SIM card) 1 x Half-size mPCIe slot w/o USB signal 1 x PCIe (optional PCI by project) slot with x1 signal

I/O Interfaces

- **Serial Ports** 1x RS-232, DB9, 50~115.2kbps 2x RS-422/485, DB9, auto flow control, 50~115.2kbps
- **LAN Ports** 4x RJ45, 10/100/1000 Mbps IEEE 802.3u 1000Base-T Fast Ethernet, support Jumbo Frame
- **USB Ports** 4x USB Ports (2 x USB2.0, 2 x USB3.0 compliant)
- **Isolated DIO** 4-ch digital input (Wet/dry contact with Isolation Protection 2,500 VDC) 4-ch digital output (Compatible 5 V/TTL, Capable Sink: 24 mA max. per channel)
- **Displays** 1x VGA, supports 1920x1200@60Hz 24bpp 1x DP 1.2, supports 1920x1080@60Hz 24bpp
- **Audio** Line-Out

Features

- 4th Generation Intel® Core™ i Processors up to 1.7GHz with 8GB DDR3L Memory
- 4 x GbE, 4 x USB 2.0/3.0, 1 x RS-232, 2 x RS-422/485, 1 x VGA, 1 x DP, Audio
- Compact with Fanless Design
- Supports PCIe card, PoE iDoor module and Digital I/O for Machine Motion/Vision application
- Dual Power Input and Remote Power Button for reducing power down time and remote power control
- 4G/3G/GPS/GPRS/WiFi Communication by iDoor Technology
- Supports MRAM by iDoor Technology
- Chassis Grounding Protection
- Hot-Swap RTC battery with easily access at top side
- Supports Fieldbus Protocol by iDoor Technology

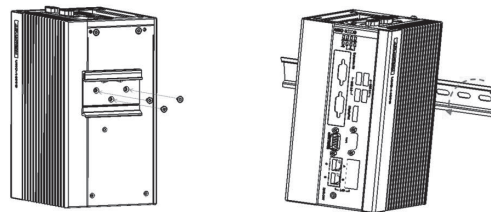
- **Power Connector** 1x 7 Pins, Terminal Block to support dual power input and remote power control
- **Grounding Protection** Chassis Grounding

Environment

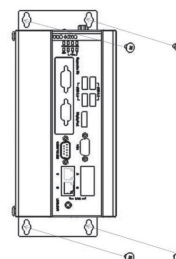
- **Operating Temperature** -20 ~ 60°C (-4 ~ 140°F) @ 5 ~ 85% RH with 0.7m/s airflow
- **Storage Temperature** -40 ~ 85°C (-40 ~ 185°F)
- **Relative Humidity** 10 ~ 95% RH @ 40°C, non-condensing
- **Shock Protection** Operating, IEC 60068-2-27, 50G, half sine, 11ms
- **Vibration Protection** Operating, IEC 60068-2-64, 1Grms, random, 5 ~ 500Hz, 1 hr/axis

Installation Scenario

DIN-Rail mounting illustration

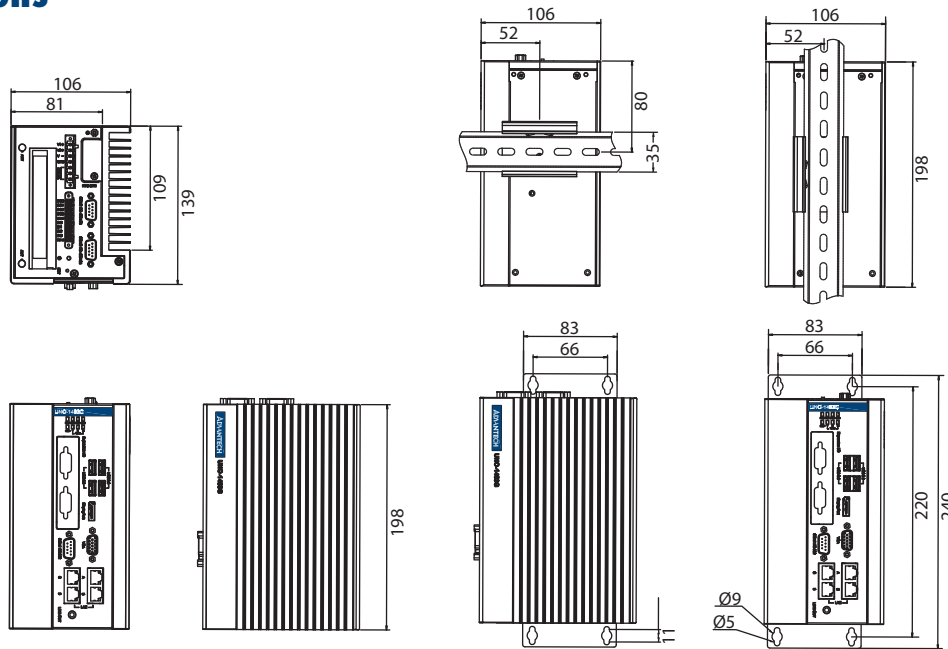


Wall mounting illustration

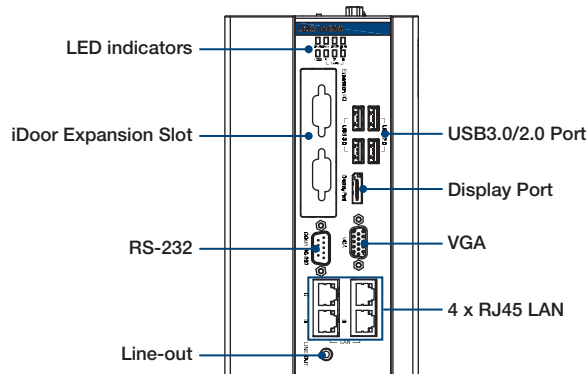


Dimensions

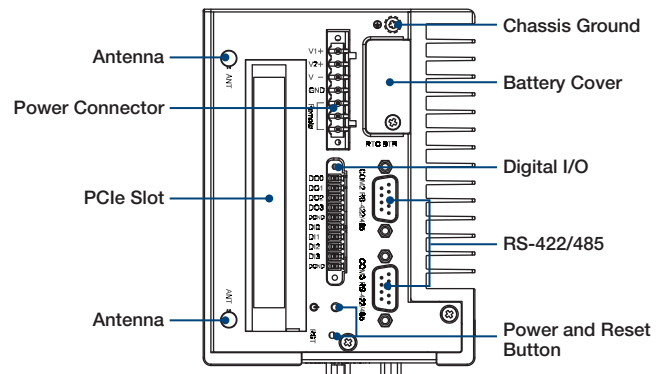
Unit: mm



Front I/O View



Top I/O View



Ordering Information

- UNO-1483G-434AE** Intel® Core™ i3-4010U ULT 1.7GHz, 8GB, 4 x LANs, 2 x mPCIe, 1 PCIe Slot

Note: Processor i7-4650U/i5-4300U/Celeron 2980U reserved for project

iDoor Modules

- PCM-24R2PE-AE** Intel i350, GbE, PoE IEEE 802.3af, PD, RJ45 x 2
- PCM-24U2U3-AE** 2 port USB 3.0 mini card
- PCM-2300MR-AE** MR4A16B, 2MByte
- PCM-26D1PB-AE** Hillscher netX100 FieldBus, ProfiBus, DB9 x 1
- PCM-26D2CA-AE** SJA1000 CANBus, CANOpen, DB9 x 1
- PCM-24D2R4-AE** OXPcie-952 UART, Isolated RS-422/485, DB9 x 2
- PCM-24S2WF-AE** 802.11 a/b/g/n 2T2R w/ BT4.0, Atheros AR9462
- PCM-24S23G-AE** 6-band HSPA Cellular Module, SIM holder+GPS
- PCM24S24G-T** Full-size mPCIe, LTE bands 2, 4, 5, 7, 17, (for USA, AT&T, T-Mobile)
- PCM-24S24G-AE** Full-size mPCIe, LTE bands 1, 3, 5, 7, 8, 20, (for Europe, APAC)

Optional Accessories

- 96PSA-A120W19T2** AC to DC 100-240V 120W Adapter
- 1702002600** Power Cable US Plug 1.8 M
- 1702002605** Power Cable EU Plug 1.8 M
- 1702031801** Power Cable UK Plug 1.8 M
- 1700000596** Power Cable China/Australia Plug 1.8 M
- SQF-SMSM4-16G-S8E** SQF MSATA 820 16G MLC 4-CH (-40~85°C)

Embedded O/S

- 2070013050** Image WES7P X64 MUI. for UNO-1483G
- 2070013219** Image Linux for UNO-1483G
- 2070014427** Image Win 10 LTSB X64 for UNO-1483G

S/W Bundle Offering

- WA-CU1483G-3RHE5AE** UNO-1483G-434AE, Control RTE & Visua., 128G SSD, 2MB MRAM, WES7P