

AIM-35

Preliminary

8" Industrial Tablet for Retail Application Powered By Intel® Atom™ / Qualcomm® Snapdragon™ Processor



Features

- Intel® Atom™ / Qualcomm® Snapdragon™ processor
- Industrial-Grade 8" 1,920 x 1,200 LCD Panel with 400 nits brightness and MTBF up to 12,000 hours
- Equipped Gorilla® Glass 3, Anti-Glare, Anti-Fingerprint, Direct Bonded Touch Panel against scratch
- Supports glove mode and stylus with palm detection to expand usability
- IP65 water and dust protection/ 4ft drop compliant
- Comprehensive communication technologies including 3G/4G, WLAN, BT, NFC, GPS and HDMI output
- Camera module supports up to 13MP auto focus with LED flash
- Supports Windows 10 IoT Enterprise & Android 6.0 OS
- AIM Extension 14-pin Pogo connector supports Extension Modules for 1D/2D Barcode scanner, MSR, IC Card readers
- AIM Dock 16-pin Pogo connector supports Cradle and Docking peripherals: VESA mount dock, charging station and printer cradle



Introduction

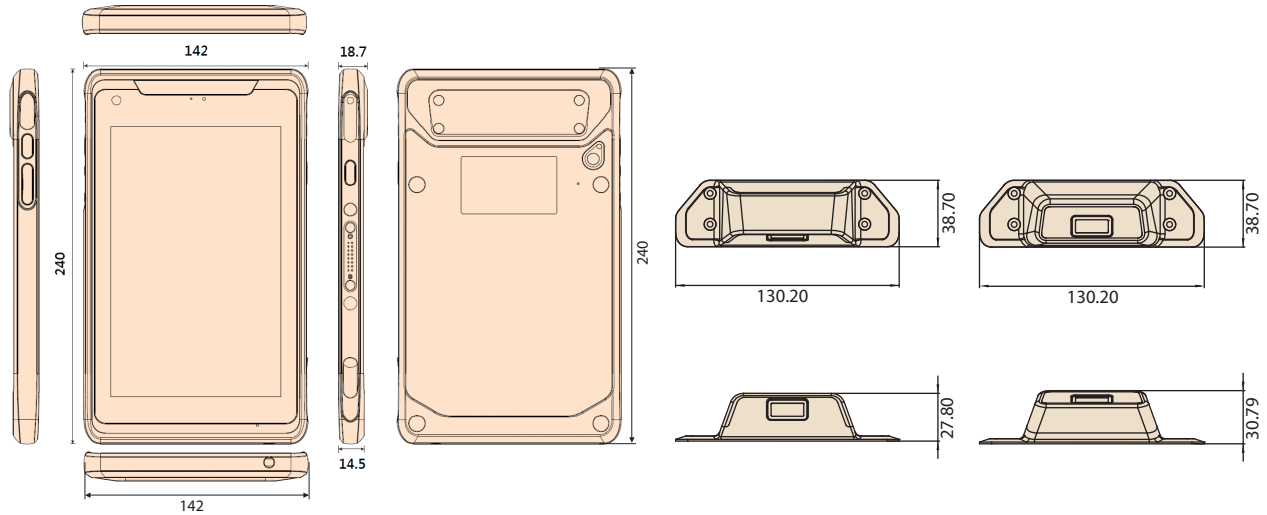
AIM-35 is an industrial-grade handheld tablet POS system for multiple applications with Intel® Atom™ and Qualcomm Snapdragon processor and multiple OS platform support for various software operation. To meet demands of retail and hospitality industry, AIM-35 provides 6-8 hours operation and support IP65-rated water and dust protection as robust tablet, but also enables various extension modules for the diversified application scenarios, such as 2D barcode scanner, to satisfy various retail and hospitality applications as well as inventory management or self-service operations that makes AIM-35 is ideal tablet POS system for the retail and hospitality market.

Specifications

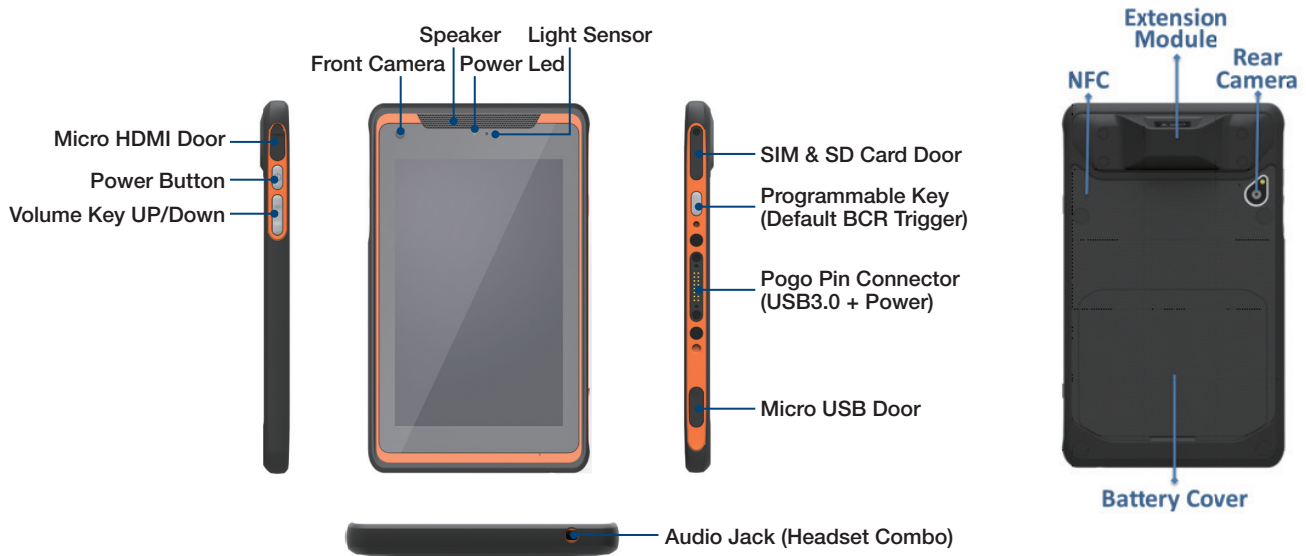
		AIM-35AT	AIM-35BT
Computing System	CPU	Intel CHT T3 Z8350	Qualcomm APQ8074
	Max. Speed	1.92GHz	2.2GHz
	On-board Memory	2GB, DDR3L-RS 1600Mhz	2GB LPDDR3 (POP)
	Operating System	Microsoft Windows 10 IoT Enterprise	Android 6.0
Storage	On-board eMMC	32GB/64GB (Default 32GB)	
	Micro-SD	Micro-SD Card Slot for Storage Expansion up to 128GB	
Display	Display Type	8" TFT IPS LCD Panel	
	Max. Resolution	WUXGA, 1200x1920, 400 nits	
	Touch Type	Projected Capacitive Multi-Touch	
	Glass Type	G/G Direct Bonding, Corning GG3 Glass	
Communication	WiFi	802.11b/g/n	802.11ac
	Bluetooth	Bluetooth v4.0 CLASS II	
	NFC	Read/ Write Device Compatible With ISO15693, ISO14443A, ISO14443B, Mifare, Felica	
	AGPS/ GNSS (Optional)	AGPS GNSS: GPS & GLONASS	AGPS GNSS: GPS & GLONASS & (Optional) Beidou
	WWAN/ LTE (Optional)	M.2 Module EU & NA (w/o Voice Call) Micro-SIM Slot	Mini-PCIe Module EU, NA & China (with Voice Call) Micro-SIM Slot
Audio		x2 Build-In Digital MIC, x1 80dB 1Watt SPK 0.5M, x1 Audio combo jack	
Connectivity	I/O Port Interfaces	x1 Micro USB 3.0 (OTG & Charging)	
		x1 Micro HDMI: Display	
		x1 AIM Dock 16-pin Pogo Connector: USB 3.0 + Power for Cradle and Docking Stations x1 AIM Extension 14-pin Pogo Connector: USB 2.0 + TX/RX + Power for Extension Modules	
Camera	Front	2MP Fixed Focus	5MP Fixed Focus
	Rear	5MP Auto Focus with LED Flash	13MP Auto Focus with LED Flash
Sensor		G-sensor + E-compass, Gyroscope, ALS	
Hard Buttons	Function	x1 Power Button x2 Volume Control Button (One is Programmable) x1 Programmable Button (Default as BCR Trigger Key)	
System Indicators		x1 Power / Battery Status	
Power Input	Micro USB	DC 5V, Max 3A	DC 9V, Max 2A
	16-pin Pogo Connector	DC 9V, Max 2A	DC 9V, Max 2A
Battery	Capacity	Detachable Battery with Battery Meter Soft Pack (1S2P): 3.8V 5060mAh (19.22Watt)	
	Operating Temp	0-40 °C (Charging) -10-50 °C (Discharging)	
Environment	Temperature	Operating: -10°C ~ +50°C, Storage: -20°C ~ +70°C	
	Operating & Storage Humidity	5% ~ 95% @ 40° C (non-condensing)	
	Vibration	Operation: (5-500GHz) 1G, Non-operating: (5-500GHz) 0.04PSD	
Ingress Protection	Dust/ Water Resistance	IP-65 compliant	
Physical Characteristics	Dimensions (W x H x D)	142 x 239 x 14.5mm	
	Weight	800g (Base Configuration)	
	Color	Black & Orange	
Certifications		CE/FCC/CCC ClassB UL 60950/CB/LVD/CCC/BSMI RF (R&TT,PTCRB/FCC ID) PTCRB/R&TTE Certification (Optional) ANSI / ISA 12.12.01-2015 (Optional)	

Dimensions

Unit: mm



Front/Rear/Side I/O View



Ordering information

P/N	Description
AIM-35AT-0010100	8" Tablet, Intel CHT T3 Z8350, WIFI, BT, NFC, Windows 10IoT Enterprise 64 Bit
AIM-35AT-0010300	8" Tablet, Intel CHT T3 Z8350, WIFI, BT, NFC, 4G/3G NA Band, Windows 10 IoT Enterprise 64 Bit
AIM-35AT-0010400	8" Tablet, Intel CHT T3 Z8350, WIFI, BT, NFC, 4G/3G EU Band, Windows 10 IoT Enterprise 64 Bit
AIM-35BT-0120100	8" Tablet, Qualcomm APQ8074, WIFI, BT, NFC, Android 6.0 64 Bit
AIM-35BT-0120600	8" Tablet, Qualcomm APQ8074, WIFI, BT, NFC, 4G/3G NA Band, Android 6.0 64 Bit
AIM-35BT-0120700	8" Tablet, Qualcomm APQ8074, WIFI, BT, NFC, 4G/3G EU Band, Android 6.0 64 Bit
AIM-35BT-0120800	8" Tablet, Qualcomm APQ8074, WIFI, BT, NFC, 4G/3G China Band, Android 6.0 64 Bit

Peripheral Ordering Information

P/N	Description
AIM-ADP2-000E	Mirco USB Adaptor (QC2.0 General)
AIM-EXT3-0000E	20 degrees barcode scanner extension module, Honeywell
AIM-EXT3-0001E	70 degrees barcode scanner extension module, Honeywell
AIM-SRP3-0000E	Hand strap with screw
AIM-STL3-0000E	Active Stylus
AIM-VES3-0000E	AIM-35 VESA mounting dock with USB3.0 x2, Giga LAN x 1, RS232 x1
AIM-CHG3-0000E	AIM-35 multiple charging station. Provide 4 charging slots of tablet Charging , USB x 2, COM (RJ48 type) x 2 , RJ11 x 1, 80mm Thermal Printer, Auto cutter
AIM-CDL3-0000E	AIM-35 multiple charging station. Provide 4 charging slots of tablet Charging , USB x 2, COM (RJ48 type) x 2 , RJ11 x 1
AIM-CDL3-0001E	AIM-35 multiple charging station. Provide 4 charging slots of tablet Charging , USB x 2, COM (RJ48 type) x 2 , RJ11 x 1
1702002605	AIM-CDL3 Power cord 2P FRANCE 10A/16A 220V 1.83M 90D
1702002600	AIM-CDL3 Power Cord 3P UL/CSA(USA) 125V 10A 1.83M 180D
1700000596	AIM-CDL3 Power Cord (China) CCC,10A 250V, 3P 1830mm
1700018704	AIM-CDL3 Power Cord UK BSI 2P 10A 250V 180cm 18AWG
1700022938-01	AIM-CDL3 Power cord KC 10A 250V 3P 3m DAC-ST01