

UPOS-315

15" Ubiquitous POS Terminal
UPOS-3150 with Intel® BayTrail J1900
UPOS-315A with Intel® Haswell Core i3-4010U



Features

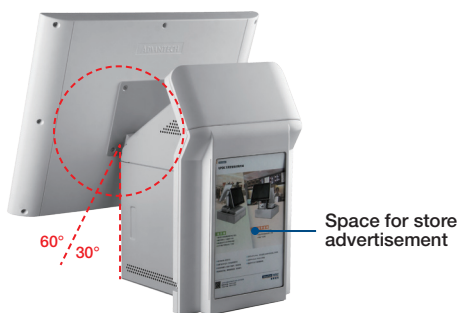
- 15" TFT LCD (LED backlight) with 5 wire Resistive or PCap Touch
- Built in Intel Baytrail J1900 or Haswell Core i3-4010U
- T - Structure design with detachable & stylish true flat panel
- Smallest footprint to save counter space
- Embedded counterfeit detection module
- Fully support SUSIAccess
- Easy access to key components
- Low power & Fanless design
- Black / White color
- Device Options: 2nd Display, MSR, VFD, RFID, Barcode Scanner



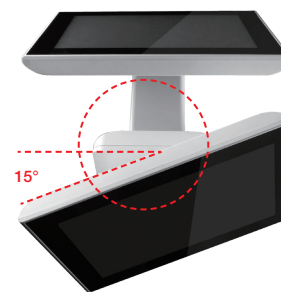
Introduction

UPOS-315 is a fanless POS system, which provides the smallest footprint to save counter space and enhance store layout flexibility. It provides easy access to key components and counterfeit detection module to expedite cash payment process. SUSIAccess was built in to support Real-time Hardware / Software monitoring, remote maintenance and system security. It is designed with the unique T-structure for Mini market store, Food merchandise, Convenience store, Specialty store. UPOS systems are the best solutions to deliver a quicker and smarter shop experience, bring mutual business benefit.

Features Highlight



Tilt motion



2nd display left / right movement



Easy access to key components



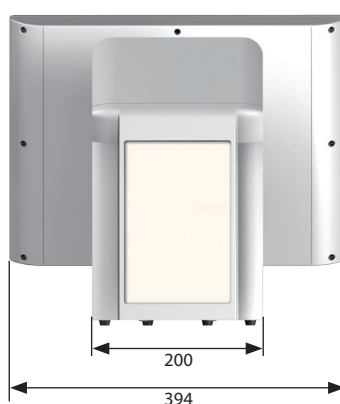
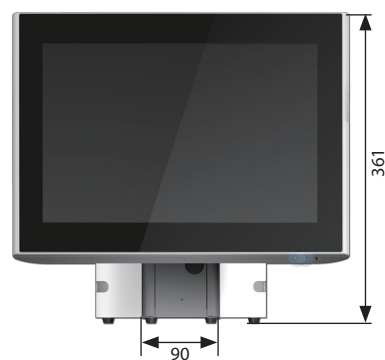
Embedded counterfeit detection module

Specifications

Processor	Intel Bay Trail Quad Core J1900, 2GHz up to 2.42GHz	Intel Haswell Core i3-4010U, 1.7GHz
Memory	Up to 8GB (SO-DIMM 1 x 204pin, 1333MHz)	Up to 8GB (SO-DIMM 1 x 204pin, 1600MHz)
Storage	1 x 2.5" SATA HDD/SSD connector	
Panel	15" TFT LCD Display (1024 x 768)	
Touch Screen	15", Analog Resistive 5-wires (Res. Flat Glass) / Projected Capacitive Touch Panel (Pcap. Flat Glass) Light Transmission: Res. Touch 80% +/-5% / Pcap Touch 85%+/-3%	
Bus Expansion	1 x Mini PCIe ; 1 x mSATA	1 x mSATA (co layout with full-size Mini PCIe), 1 x half-size Mini PCIe
Audio	1 x Line out; 1 x Mic in, Speaker box header x 2	1 x Line out; 1 x Mic in
Power Supply	60W (100 ~ 240 V _{AC} , 50 ~ 60Hz,1.5A) power adapter; 84W (100 ~ 240 V _{AC} , 50 ~ 60Hz,1.3A) power adapter (optional)	
Serial Port	3 x RS232 ports : COM1 & COM2 with 5V(default)/12V(option) 2 x RS232 (Internal)	2 x RS232 port (External), COM2 supports 5V, 12V 2 x RS232 port (option)
USB Port	3 x External USB 2.0 ports, 1 x power USB 2 x Internal USB 2.0	4 x USB 3.0 (Rear I/O); 1 x USB 2.0 (Front side) 1 x USB 2.0 (internal)
Ethernet	1 x RJ-45 Gigabit Ethernet	2 x RJ-45 Gigabit Ethernet
Display Output	1 x VGA	1 x DP/HDMI, 1 x DP++ (Convert to VGA)
Cash Drawer	1 x RJ11, cash drawer, 12V default, 24V by order	NA
Parallel Port	1 x LPT (optional)	
IP65	IP65 front panel protection	
Dimension (W x H x D)	394 x 361 x 356 mm	
Weight	7.8KG (Net weight) / 11.2KG (Gross weight)	
Operating Temp.	0 ~ 40° C	
Relative Humidity	10 ~ 90% @ 40° C	
EMC / Safety	CE, CCC, UL, FCC	
OS Support	Windows Embedded POSReady 7, Windows 7 Pro Embedded, Windows 8.1 Pro Embedded (64-bit), Linux Kernel 3.13 or above, Andorid 4.4 or above	

Dimensions

Unit: mm



Ordering Information

Part No.	Description
UPOS-3150-RHW0E	15", 5W Res, TFlat, J1900, Fanless, 2GDDR, 64GSSD, Whi
UPOS-3150-RHB0E	15", 5W Res, TFlat, J1900, Fanless, 2GDDR, 64GSSD, Blk
UPOS-3150-R0W0E	15", 5W Res, TrueFlat, J1900, Fanless, 60W, White
UPOS-3150-R0B0E	15", 5W Res, TrueFlat, J1900, Fanless, 60W, Black
UPOS-3150-P0W0E	15", PCAP, TrueFlat, J1900, Fanless, 60W, White
UPOS-3150-P0B0E	15", PCAP, TrueFlat, J1900, Fanless, 60W, Black
UPOS-315A-R0W0E	15", 5W Res, TFlat, i3-4010U, Fanless, 60W, White
UPOS-315A-R0B0E	15", 5W Res, TFlat, i3-4010U, Fanless, 60W, Black
UPOS-315A-P0W0E	15", PCAP, TrueFlat, i3-4010U, Fanless, 60W, White
UPOS-315A-P0B0E	15", PCAP, TrueFlat, i3-4010U, Fanless, 60W, Black

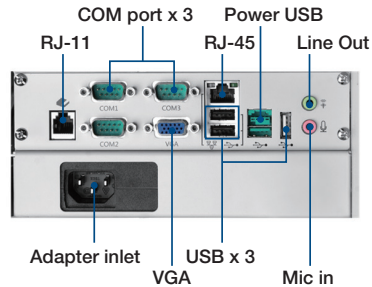
Installation Accessory

Part No.	Description
96ND500G-ST-SG5K4	SG 500G 2.5" SATAIII 5KRPM 16MB 7MM 4K
96ND1TB-ST-WD5K	WD 2.5 1TB 5KRPM 9.5MM SATAIII 8MB 4K
SQF-S25M8-64G-S8C	SQF 2.5" SSD 820 64G MLC (0~70°C)
AQD-SD3L4GN16-SG	4G SO-DDR3-1600 512X8 1.35V SAM(G)
AQD-SD3L2GN16-SQ	2G SO-DDR3-1600 256X8 1.35V SAM(G)
96CB-POWER-B-1.8M1	POWER CORD H05VV-F 3G 0.75MM 1.8M BK(G) (CCC)
17AP164900518011	POWER CORD CEE 7/16+C13 L1.8M (CE)
1700013977	Power Cord 10A 250V 3P 180/90 CCC 200cm (CCC)
1702002600	Power Cord 3P UL/CSA(USA) 125V 10A 1.83M 180D
1700020098	Military Power Cord Australian 3P 10A 250V 183CM (Australian)
1702002605	Power cord 2P FRANCE 10A/16A 220V 1.83M 90D (EU)
1700001714	Power Cord BSMI 3P 7A 125V 18AWG 180CM (BSMI)
SQF-S25M8-64G-8UP	SQF 2.5" SSD UPOS 64G MLC (0 ~ 70° C)
SQF-SMSM4-64G-9UP	SQF MSATA UPOS 64G MLC (0 ~ 70° C)

POS Peripherals

Part No.	Description
UPOS-CMON-15B0E	POS Peri, 2nd display, no touch, 15", black
UPOS-CMON-15W0E	POS Peri, 2nd display, no touch, 15", white
UPOS-300P-V10WE	POS Peri,VFD for UPOS-315,English,white
UPOS-300P-V10BE	POS Peri,VFD for UPOS-315,English,black
UPOS-300P-V20WE	POS Peri,VFD for UPOS-315,CH,white
UPOS-300P-V20BE	POS Peri,VFD for UPOS-315,CH,black
UPOS-300P-M10WE	POS Peri,MSR,for UPOS-315,bottom side,white
UPOS-300P-M10BE	POS Peri,MSR,for UPOS-315,bottom side,black
UPOS-300P-R10WE	POS Peri,RFID for UPOS-315,white
UPOS-300P-R10BE	POS Peri,RFID for UPOS-315,black
UPOS-300P-S10BE	POS Peri,1D Barcode Reader,Newland,black
UPOS-300P-S20BE	POS Peri,2D Barcode Reader,Newland,black
UPOS-300P-S10WE	POS Peri,1D Barcode Reader,Newland,white
UPOS-300P-S20WE	POS Peri,2D Barcode Reader,Newland,white

Rear I/O Placement



Versatile Peripherals

The diagram illustrates three different UPOS-315 terminal configurations. Each configuration is shown with a central terminal image and arrows pointing to various optional peripherals. Configuration 1 includes a Printer, Cash Drawer, Keyboard & MSR, 3G Module, and Wifi Module. Configuration 2 includes a Customer Display (VFD or 15" 2nd Screen). Configuration 3 includes a Camera, RFID Reader, Smart Card Reader, MSR Module, and Scanner.