

# UPOS-510 Series

**15" 4:3 Modularized POS System**  
**UPOS-510D with Intel® J1900 Processor**  
**UPOS-510F with Intel® Core i3/i5/Celeron Processor**



## Features

- 15.1" TFT display in LED backlight.
- Flat and borderless front PCAP touch panel design.
- Fanless design for quiet operation.
- Aluminum alloy tower of stand provide the reliable system and able to deploy in small space.
- Clean cable and screwless back design
- Reserved display hatched for peripheral requirement



## Introduction

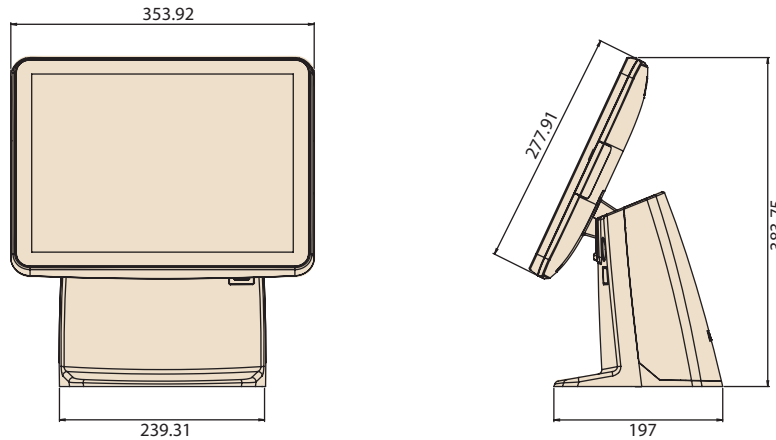
UPOS series is a modern and sleek industrial Point of Sales system. Borderless front touch panel maximizes the viewing area. Aluminum alloy coating stand provides secured support to the display. Small footprint enables the system to be deployed in limited-space scenarios. Snap-in back cover allows quick access to the system and easy maintenance. Front display reserved hatches on the top and both sides, varying the needs to expand peripheral applications.

## Specifications

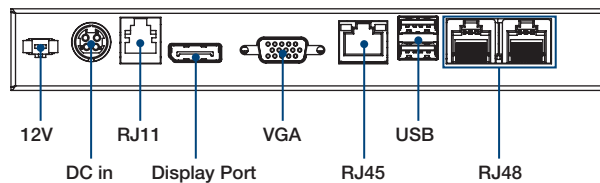
System	Model	510D	510F
	CPU	Intel® Celeron® J1900 processor	Intel® Celeron® 3955U/Core™ i5-6300U/Core™ i3-6100U
	System Memory	SODIMM x1 (Maximum up to 8GB DDR3L)	SO DIMM x1 (Maximum up to 16GB DDR4-2133)
Storage	HDD	1 x 2.5" SATA HDD/SSD Bay	1 x 2.5" SATA HDD/SSD Bay(optional 2nd SATA3)
	SATA	SATA II (3.0Gb/S)	SATA III (6.0Gb/S)
	Expansion	1 x Full-size mini PCIe (for mSATA/Wi-Fi/BT)	
Display	Resolution	15" TFT LCD (1024 x 768) with LED backlight	
	Brightness	250 cd/ m <sup>2</sup>	
	Touch Screen	P-Cap Touch	
External I/O	Serial Port	2 x COM (RJ48 with 5V/12V selectable by internal jumper, 1A)	
	USB Port	2 x USB	1 x USB in front 2 x USB3.0 in IO bay
	Video Output	1 x VGA1 Port (DSUB-15) 1 x Display Port (Reserved for BOX PC)	
	Ethernet	1 x RJ-45 Gigabit Ethernet(10/100/1000)	
	Cash Drawer	1 x RJ11 (12V Default /24V by internal jumper)	
	DC In	4 pin power jack	
	DC Out	12V 2-pin connector for 2nd display	
	Speaker	1 x 2W speakers	
	Power Button	Power Switch (LED indicator inside)	
	Display Hatch (Top)	VGA for second display	
	Display Hatch (Right)	PS/2 + USB	
	Display Hatch (Left)	Reserved	
	Optional Modules	Adapter	60W
Second Display		Supports 10.1" TFT LCD/VFD via display hatch (top) Supports 15" TFT LCD via rear pole mount	
Peripherals		<ul style="list-style-type: none"> <li>▪ MSR</li> <li>▪ MSR + iButton</li> <li>▪ MSR + Fingerprint</li> <li>▪ MSR + RFID</li> <li>▪ MSR + IC card</li> </ul>	
Connectivity		WiFi (802.11 b/g/n) or Bluetooth	
Mechanical & Environmental	Color	Black / White / Black+Orange	
	Operating Temperature	0 ~ 40 °C (32 ~ 104 °F)	
	Humidity	10 ~ 95% @ 40 °C, non-condensing	
	Certifications	CE/FCC/CCC	
Software	OS Support	POSReady 7 / Win 10 IoT Enterprise	

## Dimensions

Unit: mm



## IO View



## Order Information

Part Number	Description
UPOS-510DP-AST00	Baytrail J1900, P-cap touch, 4G DDR3 RAM, Black, USB x3, COM x2
UPOS-510FP-ACL00	Skylake-U Celeron 3955U, P-cap touch, 4G DDR4 RAM, Black, USB x3, COM x2
UPOS-510FP-AI300	Skylake-U Core i3-6100U, P-cap touch, 4G DDR4 RAM, Black, USB x3, COM x2
UPOS-510FP-AI500	Skylake-U Core i5-6300U, P-cap touch, 4G DDR4 RAM, Black, USB x3, COM x2

## Thermal Printer

Peripherals	P/N	Description
Thermal printer USB+ Serial	UPOS-P04-A000	SLK-TE213, 50-82.5mm, 300mm/s, USB+ Serial
Thermal printer USB + Ethernet	UPOS-P04-A001	SLK-TE213, 50-82.5mm, 300mm/s, USB+ Ethernet
Thermal printer USB+ Serial+ Ethernet	UPOS-P04-A002	SLK-T21EB, 50-82.5mm, 220mm/s, USB+ Serial+ Ethernet
Thermal printer USB+ Serial	UPOS-P04-A003	SLK-TL212, 50-82.5mm, 220mm/s, USB+ Serial
Thermal printer USB+ Parallel	UPOS-P04-A004	SLK-TE213, 50-82.5mm, 300mm/s, USB+ Parallel

## Peripheral

Peripherals	P/N	Description
VFD display_ENG/pole	UPOS-P01-A102	VFD display, ENG, H7cm, pole mount for UPOS-510/UPOS-520
VFD display_CHT/pole	UPOS-P01-A103	VFD display, CHT, H7cm, pole mount for UPOS-510/UPOS-520
10.1" 2nd display/rear	UPOS-P02-A100	10.1" 2nd display, rear mount for UPOS-510/UPOS-520
10.1" 2nd display/pole	UPOS-P02-A101	10.1" 2nd display, pole mount for UPOS-510
15" 2nd display	UPOS-P02-A102	15" 2nd display, pole mount for UPOS-510
15" 2nd display w/ p-cap	UPOS-P02-A103	15" 2nd display, P-cap touch, , HDMI, VGA, pole mount for UPOS
MSR, PS2	UPOS-P03-A100	MSR, PS2 for UPOS-510/UPOS-520
MSR, PS2+ibutton	UPOS-P03-A101	MSR, PS2+ibutton for UPOS-510/ UPOS-520
MSR, PS2+RFID	UPOS-P03-A102	MSR, PS2+RFID for UPOS-510/ UPOS-520
MSR, PS2+fingerprint	UPOS-P03-A103	MSR, PS2+fingerprint for UPOS-510/ UPOS-520
MSR, PS2+IC	UPOS-P03-A104	MSR, PS2+IC card for UPOS-510/ UPOS-520
Cash drawer	UPOS-P06-A000	Cash drawer for all UPOS series