

UPOS-531 Series

Preliminary

15" 4:3 Stylish POS System
UPOS-531D with Intel Baytrail J1900
UPOS-531F with Intel Skylake i5/i3/
Celeron



Features

- 15.1" TFT Display in LED backlight
- Full-flat and boarderless front PCAP touch panel design
- Fanless design for quiet operation
- All in one computer with rear cove Aluminum die casting
- Support wall mount, VESA mount, and Stand
- Easy to attach 2nd display and VFD



Introduction

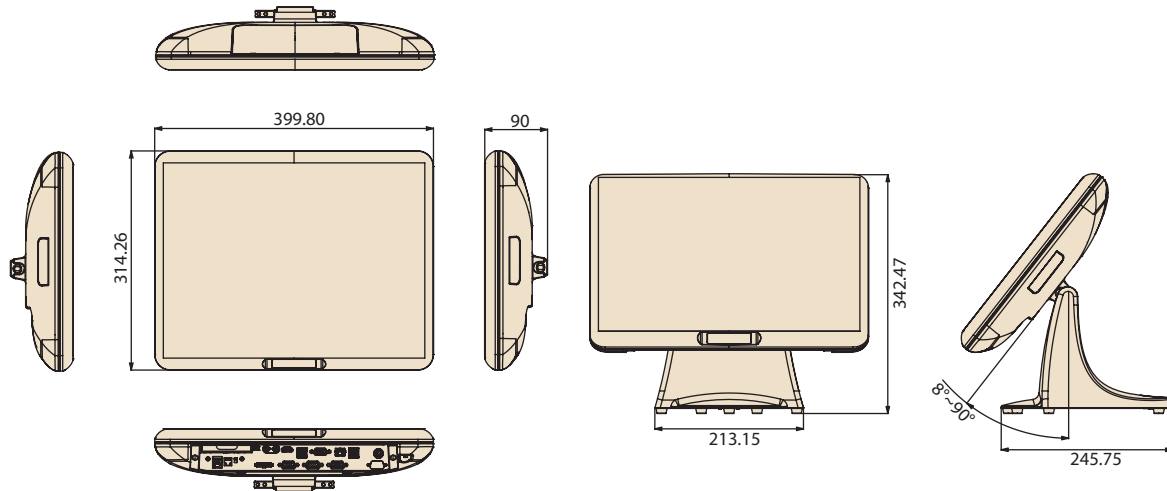
UPOS-531 Series is a two color option stylish look POS with fan-less design. Boarder-less front touch panel maximizes the viewing area, and one easy access USB port on the left-hand side of touch panel. The Aluminum die casting rear cover with glossy finishing design can easy fit into many Retail or Hospitality arena. New 6th gen Intel core M/B design can provide a highly stable and continuous operation in office or store.

Specifications

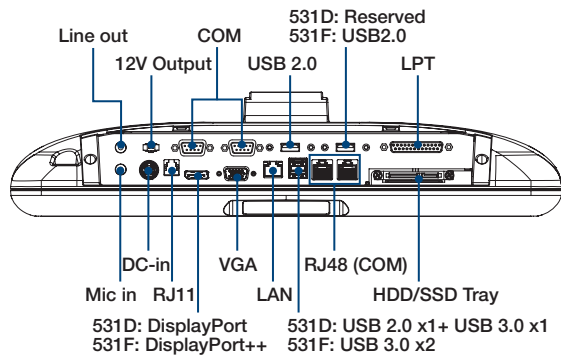
Specifications System Processor	Model	UPOS-531D	UPOS-531F	
	CPU	Intel® Baytrail J1900 processor	Intel® Skylake-U Core i5-6300U/Core i3-6100U/Celeron 3955U	
	System Memory	SODIMM x1 (up to 8GB DDR3L)	SO DIMM x1 (up to 16GB DDR4-2133)	
Storage	HDD Drive	1x 2.5" SATA HDD/SSD Bay		
	SATA speed	SATA2 (3.0Gb/S)	SATA3 (6.0Gb/S)	
	Mini-PCle Expansions	Full-Size x1 (mSATA/PCle/USB)		
Main Display	Panel Resolution	15" TFT LCD (LED backlight / 1024 x 768)		
	Brightness	250 cd/ m ²		
	Touch Screen	P-Cap Touch		
External I/O	Serial Port	2x RJ48, 2x COM (with 5V/12V selectable by internal jumper, 1A)		
	USB Port	1x USB in front 3x USB in rear I/O(USB 2.0 x2, USB 3.0 x1)	1x USB in front 4x USB in rear I/O (USB 2.0 x2, USB 3.0 x2)	
	Video Out	1x VGA1 Port (DSUB-15) 1x Display Port	1x VGA1 Port (DSUB-15) 1x Display port	
	Ethernet	1x RJ-45 Gigabit Ethernet(10/100/1000)		
	Cash Drawer	1x RJ11 (12V Default /24V by internal jumper)		
	DC-In	12V 4 pin power jack		
	DC-out	12V 2-pin connector for 2nd display		
	Speaker	1W x 2		
	Display top hatch	VGA +12V for 2nd display		
	Display right hatch	P/S 2 + USB		
	Display left hatch	Reserve		
	Optional Modular	Adapter	60Watt adapter	84Watt adapter
		Second Display	10.1" TFT LCD /VFD on display top hatch/ or pole mount 15" TFT LCD on rear pole mount	
Peripherals		<ul style="list-style-type: none"> ▪ MSR ▪ MSR + iButton ▪ MSR + Fingerprint ▪ MSR + RFID ▪ MSR + IC card 		
Wi-Fi/ Bluetooth		WiFi (802.11 b/g/n) or Bluetooth		
Mechanical & Environmental	Case Color	Black/ White		
	Operation Temperature	0 ~ 40° C (32 ~ 104° F)		
	Humidity	10 ~ 95% @ 40° C non-condensing		
	Certification	CE, FCC		
Software	OS option	Win 10 IoT Enterprise/Win 7/POSReady 7		

Dimensions

Unit: mm



I/O View



Order Information

Part Number	Description
UPOS-531DP-AST00	Baytrail J1900, P-cap touch, 4G DDR3 RAM, Black, USB x4, COM x4
UPOS-531DP-AST01	Baytrail J1900, P-cap touch, 4G DDR3 RAM, 500G HDD, Black, USB x4, COM x4
UPOS-531FP-ACL00	Skylake-U Celeron 3955U, P-cap touch, 4G DDR4 RAM, Black, USB x5, COM x4
UPOS-531FP-AI300	Skylake-U Core i3-6100U, P-cap touch, 4G DDR4 RAM, Black, USB x5, COM x4
UPOS-531FP-AI500	Skylake-U Core i5-6300U, P-cap touch, 4G DDR4 RAM, Black, USB x5, COM x4

Peripheral for UPOS-531

Part Number	Description
ADP-MR-1001-05000	1MR V1 MSR PS2 EP5 BK
ADP-MR-2001-05000	2MR V1 MSR PS2 EP5 BK
ADP-B-CD-AD420241	AD-420 CASH DRAWER E-913+T-121 24V/OEM
ADP-B-WP-T800-002	BK USB
ADP-B-WP-T810-101	BK USB+ETHERNET EN
UPOS-P04-A002	SLK-T21EB, 50-82.5mm, 220mm/s, USB+ Serial+ Ethernet
UPOS-P04-A003	SLK-TL212, 50-82.5mm, 220mm/s, USB+ Serial
UPOS-P04-A000	SLK-TE213, 50-82.5mm, 300mm/s, USB+ Serial
UPOS-P04-A001	SLK-TE213, 50-82.5mm, 300mm/s, USB+ Ethernet