

UPOS-540 Series

Compact and Efficient POS Box System
UPOS-540D with Intel® Celeron® J1900 Processor
UPOS-540F with Intel® Core™ i3/i5/Celeron Processor



Features

- Equipped with an Intel® Celeron® quad-core J1900 / Core™-i3/i5 processor
- Unique aluminum hole-free housing design for better heat dissipation
- Dual video output for VGA/Display port
- Support versatile installation option: wall-mounted, desktop and standalone
- Support 4x USB and 4x COM as standard and expendable
- Support powered RJ11 cash drawer
- Fast swap hard drive



Introduction

UPOS-540 is based on Advantech UPOS-500 mother board and provides the box PC solution for users. UPOS BOX PC is solid and rigid with an aluminum chassis. Anodized surface makes the BOX look upgraded and performance better in thermal. VGA and display port dual video out is capable to connect to monitor and TV. Fanless system operating is quiet. Various IO ports for peripherals. 2 models CPU selection, Baytrail and Skylake, based on user different application.

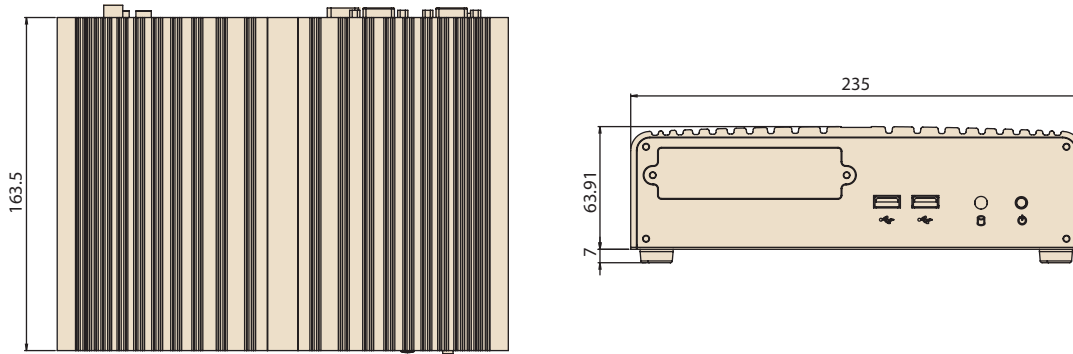
Specifications

System	Model	540D	540F
	CPU	Intel® Celeron® J1900 processor	Intel® Celeron® 3955U / Core™ i5-6300U/Core™ i3-6100U
	System Memory	SODIMM x1 (Maximum up to 8GB DDR3L)	SO DIMM x1 (Maximum up to 16GB DDR4-2133)
External I/O	Serial Port	4 x COM (RJ48 x2 with 5V/12V selectable by internal jumper, D-sub 9pin x2)	
	USB Port	4 x USB (USB2.0 x3 USB 3.0 x1)	4x USB (USB2.0 x2, 3.0 x2)
	Video Output	1 x VGA1 Port (DSUB-15) 1 x Display port	
	Ethernet	1 x RJ-45 Gigabit Ethernet (10/100/1000)	
	Cash Drawer	1 x RJ11 (12V default/24V via internal switch jumper)	
	DC In	1 x 4-pin	
	Audio	1 x Line Out & 1 x Mic in	
	PS/2	1 x KB (keyboard only)	
	HD LED	1 x Hard Disk status indicator	
	Power Button	Power switch with internal LED indicator	
	HDD Drawer	1 x SATA II (3.0Gb/S) for 2.5" SSD ^(note 1)	1 x SATA III (6.0Gb/S) for 2.5" SSD ^(note 1) 1 x Secondary SATA III (Optional)
Internal I/O	Expansion	1 x Full-Size (for mSATA/WiFi/BT)	
	LVDS Signal	1 x Dual Channel 24-bits LVDS, max resolution up to 1920 x 1200 at 60Hz	
	LVDS Power	1 x BKL EN with 3.3V/5V, 12V support on BKL power	
	integrated display connector	1 x 51-pins (with LVDS, PS/2 KB, 2xUSB)	
	COM	1 x COM	
	Parallel Port	1 x Parallel Port	
	12V Connector	1 x 6A for powered USB 1 x 1A for Secondary display	
Res. Touch Connector	1 x (optional)		
Mechanical & Environmental	Color	Black	
	Dimension	235 x 163.5 x 70 mm	
	Operation Temperature	0 ~ 40° C (32 ~ 104° F)	
	Humidity	10 ~ 95% @ 40° C non-condensing	
	Safety	CE/FCC	
Others	Packing list	Adapter 60W 2 x RJ48 to D-sub 9pins adapter cable	Adapter 86W
Software	OS Support	POSReady 7 / Win 7 / Win10 IOT	

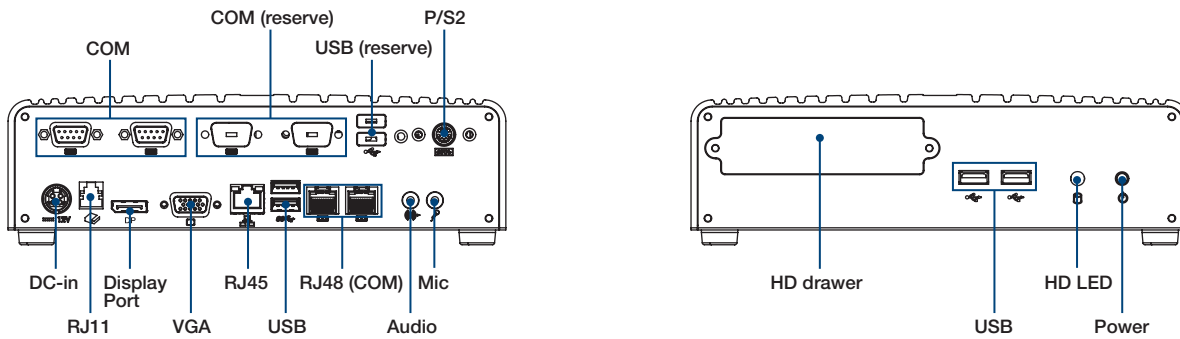
Note 1: for best performance SSD(solid state hard disk) is recommended.

Dimensions

Unit: mm



I/O View



Order Information

Part Number	Description
UPOS-540DP-AST00	Baytrail J1900, 4G RAM, DP, VGA, USB x4, COM x4
UPOS-540DP-AST02	Baytrail J1900, 4G RAM, DP, VGA, USB x4, COM x4, 64G SSD
UPOS-540DP-AST10	Baytrail J1900, 4G RAM, DP, VGA, USB x6, COM x6
UPOS-540DP-AST20	Baytrail J1900, 4G RAM, DP, VGA, USB x4, COM x4, 12V powerUSB
UPOS-540FP-ACL00	Skylake-U Celeron, 4G RAM, DP, VGA, USB x4, COM x4
UPOS-540FP-AI300	Skylake-U Core i3 6100U, 4G RAM, DP, VGA, USB x4, COM x4
UPOS-540FP-AI500	Skylake-U Core i5 6300U, 4G RAM, DP, VGA, USB x4, COM x4

Peripheral

Part Number	Description
ADP-WK-1000-00000	Wall mount bracket
1700022210-01	DisplayPort 20P(M) to HDMI 19P(F) L6cm
1700022710-01	Displayport 20P(M) to HDMI 19P(M) L90cm
1700024837-01	Displayport 20P to D-SUB 15P L20cm