

FPM-7151W

15.6" WXGA Industrial Monitor with PCT Touch, Direct-VGA/DVI ports

NEW



Features

- 15.6" WXGA TFT LED LCD backlight LCD with truly-flat multi-touch screen
- 16:9 wide screen display, view area increases by 40%
- Supports 10 points multi-touch via USB interface in Windows 7/8
- Slim type design for Panel mount / Wall mount easy installation
- Various mounting options: panel, wall, desktop and VESA arm mounting
- Projected Capacitive Touchscreen with reliable glass surface
- Robust design with SECC chassis and Magnesium alloy front panel with IP66 compliance
- OSD control pad on rear cover
- Lockable I/O connectors
- Two types of video port selections- VGA/DVI

Introduction

With its brand new design, the FPM-7151W provides a new wide screen display size with industrial grade design concept. By truly-flat touch screen, the front bezel meets IP66 testing criteria. FPM-7151W projected capacitive touch can support 10 points (via USB interface in Windows 7/8) touch application. New easy installation design can help you with one person for panel mounting. FPM-7151W monitor with slim enclosure is ideally suited to being either panel or wall mounted.

Specifications

General

- **OSD Controls** OSD control in rear cover
- **Certification** BSMI, CCC, CE, FCC Class A, UL
- **Dimensions (W x H x D)** 419.7 x 269 x 47.7 mm (16.52" x 10.59" x 1.88")
- **Enclosure** Front panel: Die-cast Magnesium alloy
Rear cover: SECC
- **Mounting** Panel, wall, desktop, VESA (MIS,100,C)
- **Power Input** Phoenix Jack: 24 V_{DC} input
- **Power Consumption** 20 W + 20%
- **Video Port** VGA & DVI-D or VGA & HDMI
- **Weight (Net)** 5kg (11lbs)

LCD Display

- **Display Type** WXGA TFT LED LCD
- **Display Size** 15.6"
- **Max. Resolution** 1366 x 768
- **Max. Color** 16.7 M
- **Viewing Angle (H/V°)** 170/160
- **Luminance (cd/m²)** 300
- **Backlight Life (hrs)** 50,000
- **Contrast Ratio** 500:1

Touchscreen

- **Type** Projected capacitive touch
- **Interface** RS-232 and USB
- **Light Transmission** Above 75%
- **OS Support** Windows XP, Vista, 7, 8, XPe and Linux
- **Multi Touch** 10 points, USB interface in Win 7/8.
- **Hardness** 7H

Environment

- **Operation Temperature** 0 ~ 55°C (32 ~ 131°F)
- **Storage Temperature** -20 ~ 60°C (-4 ~ 140°F)
- **Humidity (Storage)** 10 ~ 90% non-condensing
- **Waterproof** Front panel is IP66 compliant
- **Vibration** 5 ~ 500 Hz, 1 Grms (Operating, Random)

Ordering Information

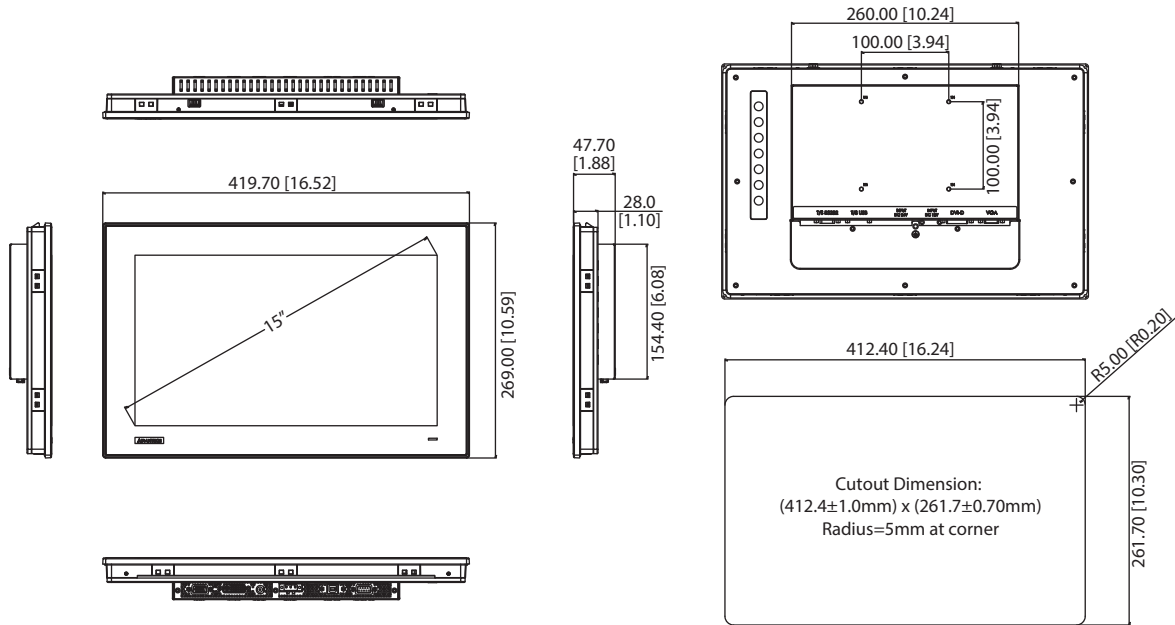
- **FPM-7151W-P3AE** 15.6" WXGA Ind Monitor w/PCT TS (VGA/DVI)

Accessories

- **1702002600** Power Cable US Plug 1.8 M
- **1702002605** Power Cable EU Plug 1.8 M
- **1702031801** Power Cable UK Plug 1.8 M
- **1700000596** Power Cable China/Australia Plug 1.8 M
- **FPM-1000T-SMKE** Desktop/Wall Mounting kit for FPM series
- **96PSA-A60W24T2** Adapter 100-240V 60W 24V 2.5A

Dimensions

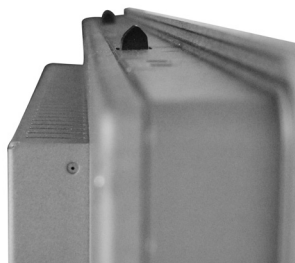
Unit: mm [inch]



Panel Cut-out Dimensions: 412.40 x 261.70 mm (16.24" x 10.30")

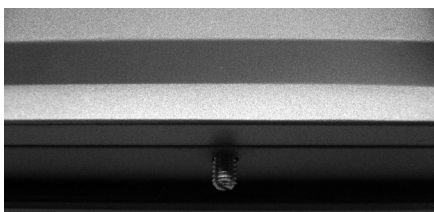
Easy Installation

Snap hook in rear cover



Screw to set up the snap hook out of upper side

Stopper Screw in rear cover



Screw for the stopper screw out of down side

Rear View

